

952A BATH SPOUT

BEFORE YOU BEGIN

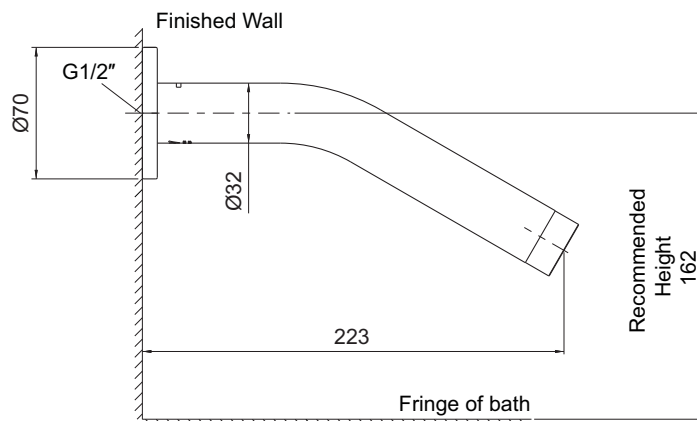
All information is based on the latest product information available at the time of publication. Kohler Co. reserves the right to make changes in product characteristics, packaging, or availability at any time without notice.

Please leave these instructions for the consumer. They contain important information.

NOTES:

1. Flush the water supply pipes thoroughly to remove debris.
2. Shut off the water supplies to the fitting.
3. Observe all local plumbing and building codes.
4. Recommended working pressure: 1 to 5 bars.
5. Maximum working pressure: 8 bars.
6. All installations should comply with the relevant requirements of AS/NZS 3500.

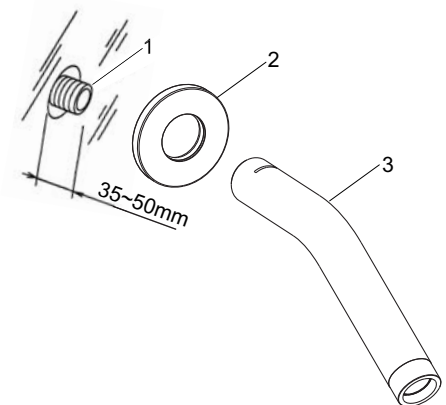
ROUGH-IN DIMENSIONS



INSTALLATION

Remove the temporary nipple from the bath elbow. Apply tape or sealant to the G1/2" nipple(1, not provided) threads. Install the G1/2" nipple(1) to the pipe so it extends 35~50mm beyond the finished wall.

Install the escutcheon(2) onto the spout kit(3). Thread the spout kit to the G1/2" nipple, tighten by strap wrench. Adjust the spout downwards. Push the escutcheon against the finished wall.



INSTALLATION CHECKOUT

Ensure that all connections are tight. Ensure that the handles are in the off position.

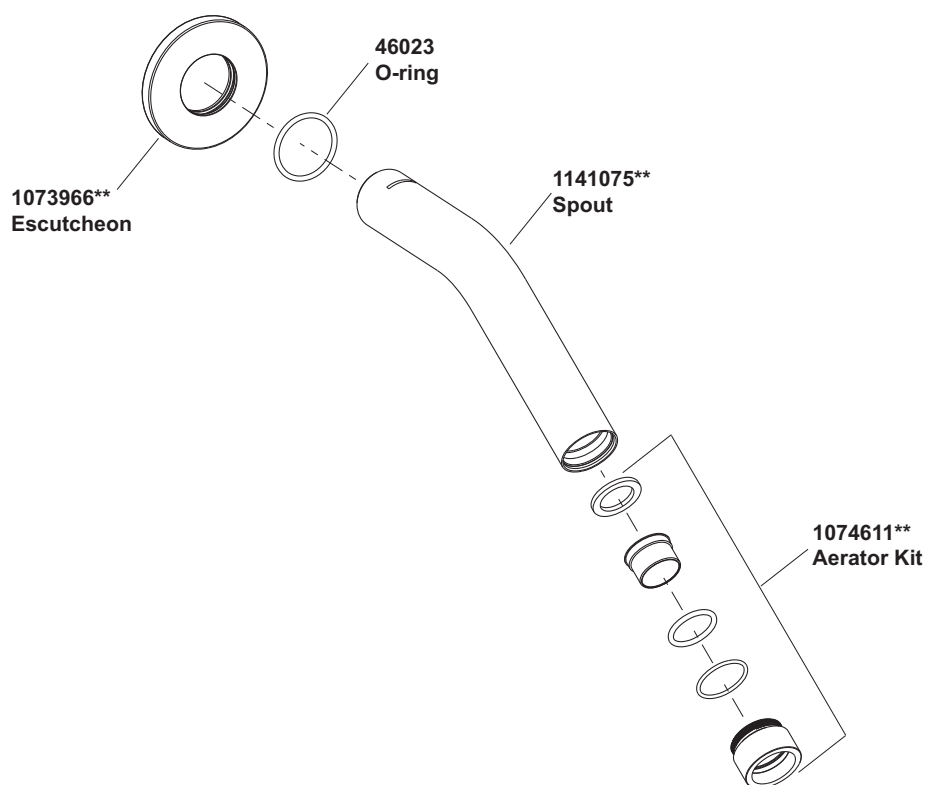
Open the drain. Turn on the main water supply and check for leaks. Repair as required.

CLEANING INSTRUCTIONS

All Finishes: Clean the finish with mild soap and warm water. Wipe entire surface completely dry with clean soft cloth. Many cleaners may contain chemicals, such as ammonia, chlorine, toilet cleaner etc. which could adversely affect the finish and are not recommended for cleaning.

Do not use abrasive cleaners or solvents on Kohler faucets and fittings.

SERVICE PARTS



**Color code must be specified when ordering