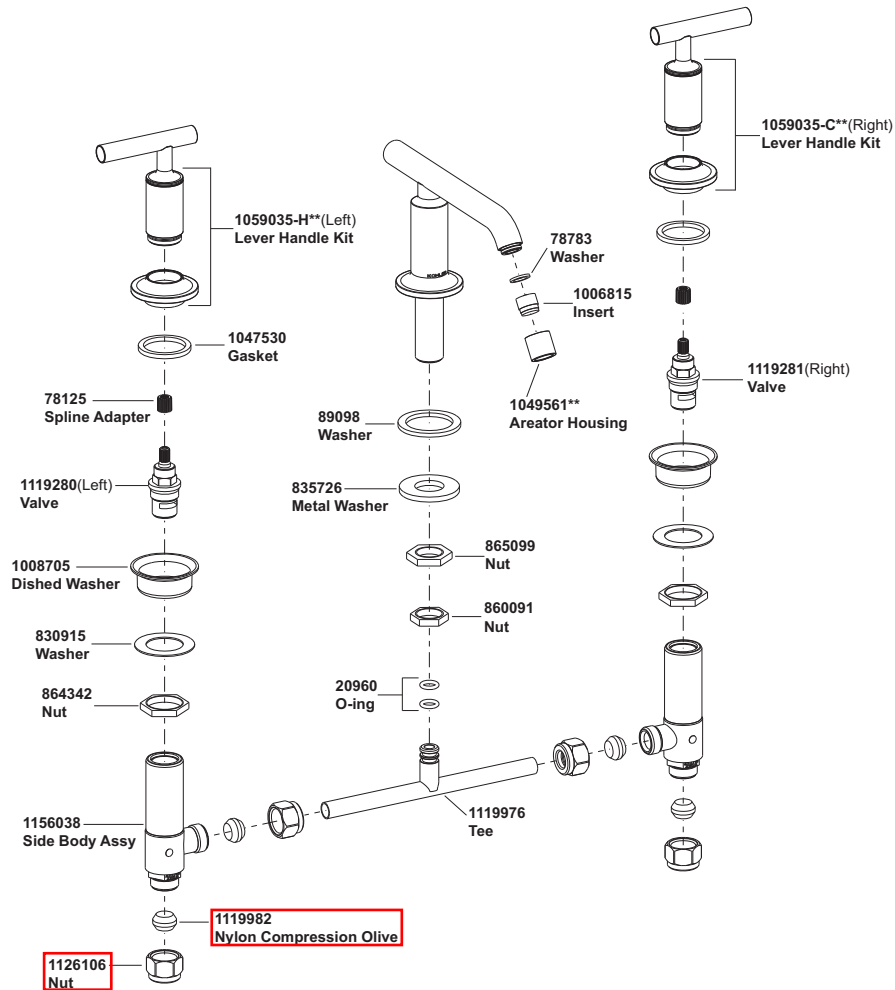


14410A-4 HOB-MOUNT BASIN SET



\*\*Color code must be specified when ordering

14410A-4 HOB-MOUNT BASIN SET

**BEFORE YOU BEGIN**

All information is based on the latest product information available at the time of publication. Kohler Co. reserves the right to make changes in product characteristics, packaging, or availability at any time without notice.

Please leave these instructions for the consumer. They contain important information.

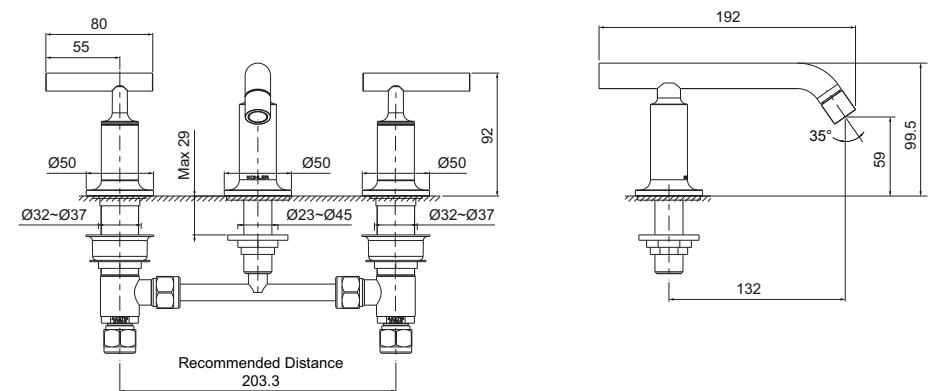
**NOTES:**

1. Flush the water supply pipes thoroughly to remove debris.
2. An in line water filter must be used with this product.
3. Inspect the supply pipes for damage and leakage. Replace and maintain as necessary.
4. Observe local plumbing codes.
5. If possible, install this faucet before installing the basin.
6. Recommended working pressure: 1 to 5 bars.
7. Maximum working pressure: 8 bars.
8. All installations should comply with the relevant requirements of AS/NZS 3500 and AS/NZS 6400.

**HANDLE OPERATION**

Left handle opens with one-quarter turn counter-clockwise.  
Right handle opens with one-quarter turn clockwise.

**ROUGH-IN DIMENSIONS**



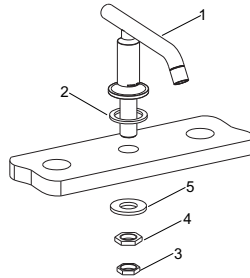
## INSTALLATION

### How To Install The Spout

Remove the parts from the spout kit(1) and retain them according to the following order: the nut(3), the nut(4) and the metal washer(5).

Retain the foam washer(2) on the bottom of the spout kit, then insert the spout kit into the center hole of basin.

From underside of the basin, install the metal washer(5), the nut(4) and the nut(3). Adjust the position of the spout kit and tighten the nut(4) by wrench, than tighten the nut(3).



### How To Install The Side Bodies And Handles Kits

Remove the handle kits(6) and the rubber washers(7) from the side bodies(8). Retain the steel washers(11), the nuts(12), the dished washers(14) and the spline adapters(13) on the side bodies.

Trim the tee-piece(9) to suit the basin hole centres. Loosen the nuts(10) on the side bodies, and assemble the tee-piece to the side bodies as Fig.1 shown. Tighten the nuts(10) by hand.

Insert the side bodies with the nuts(12), the washers(11) and dished washers(14) through the mounting holes from underside of the basin (The side body with the red dot should be on the left when facing the front of the spout), and locate the tee-piece onto the spout shank.

If the tee-piece cannot be inserted into the shank, you can loosen the nuts(10) by hand, and adjust the tee-piece position. Then tighten the nuts(10) with a wrench.

Install the rubber washers(7) on the side bodies. Press the handle kits(6) onto the spline adapter(13), and tighten the handle kits(6) until they contacts the deck as Fig.1 shown.

**NOTE:** The handle kit with red washer should be installed on the left side when facing the front of the spout.

The illustration Fig.2 shows the correct position for the installed spout and handles when closed.

Attach the water supplies to the valve bodies. Hot water to left valve body, cold water to right valve body.

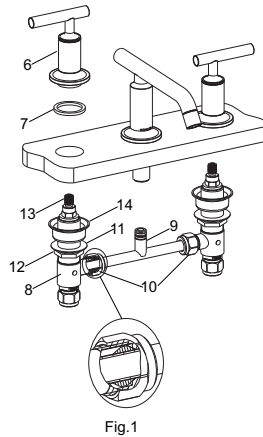


Fig.1

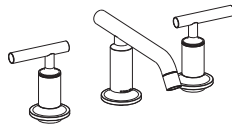


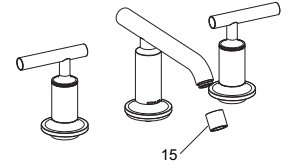
Fig.2

## INSTALLATION CHECKOUT

Ensure that all connections are tight. Ensure that the handles are in the off position.

Turn on the drain and main water supply, and check for leaks. Repair as needed.

Remove the aerator(15). Turn on the tap handles. Run the water through the spout for about one minute to remove any debris. Remove any debris from the aerator. Shut off the tap handles. Reinstall the aerator.



## CLEANING INSTRUCTIONS

All Finishes: Clean the finish with mild soap and warm water. Wipe entire surface completely dry with clean soft cloth. Many cleaners may contain chemicals, such as ammonia, chlorine, toilet cleaner etc. which could adversely affect the finish and are not recommended for cleaning.

Do not use abrasive cleaners or solvents on Kohler faucets and fittings.