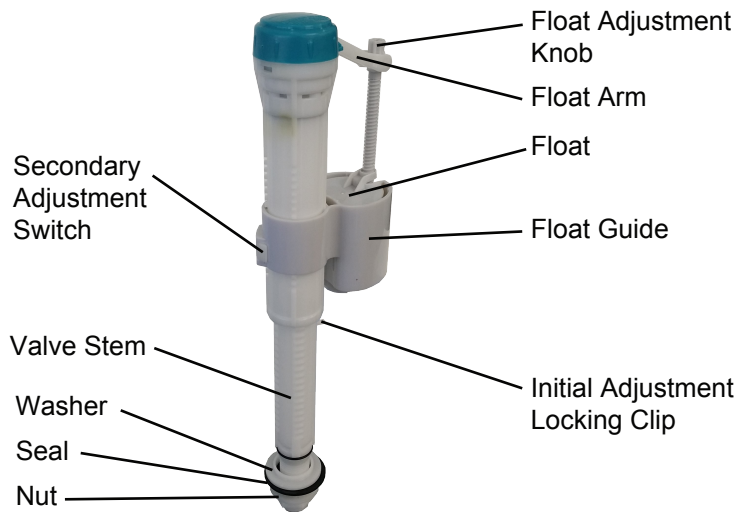


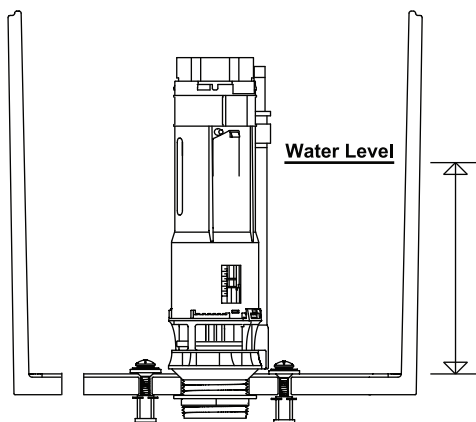
Part Identification



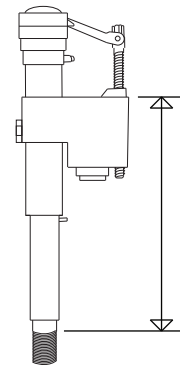
Before you begin, turn the float adjustment knob so that the top of the float is level or slightly above (0-3mm) the top of the float guide.

Valve Height Check

- 1) On the inside of the cistern, measure the distance from the marked water level line to the base of the cistern.

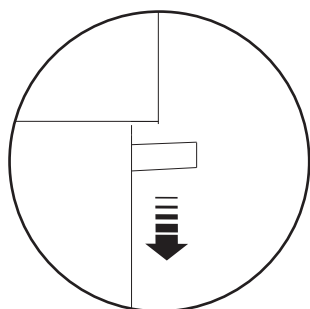


- 2) Measure the distance between the top of the float and the top of the thread on the valve stem. If this height matches that in step 1, skip to Valve Installation. Else proceed with Initial Valve Adjustment.

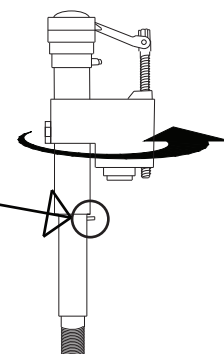


Initial Valve Adjustment

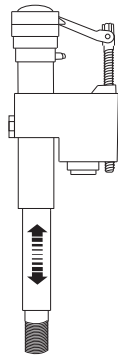
- 1) Remove the valve locking clip by firmly sliding it directly down.



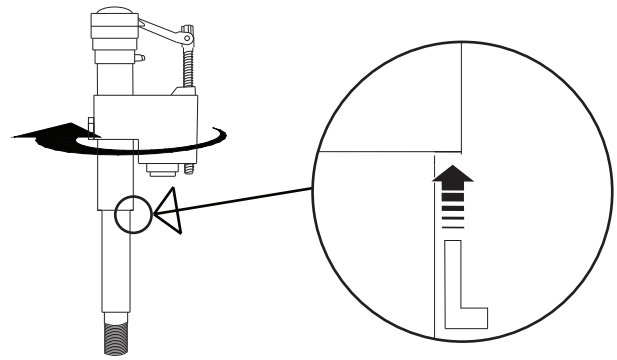
- 2) While holding the stem of the valve, turn the float guide assembly anti-clockwise approximately 1/8th of a rotation.



- Adjust the height by sliding the stem in or out of the main body, so that the float height equals the cistern water level height (refer to page 1).



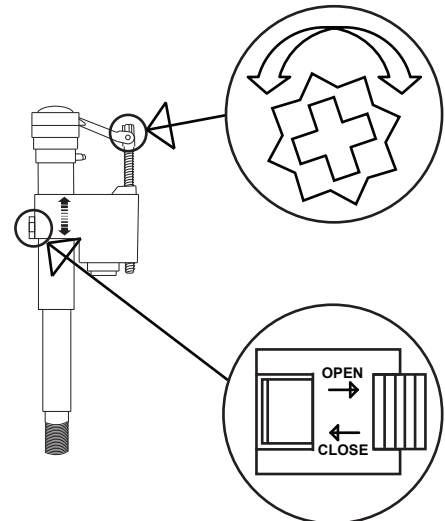
- Lock the valve at the desired height by turning the valve assembly clockwise. Replace the locking clip.



- If the valve interferes with the cistern lid when put in position, reduce the height to clear and proceed to Secondary Valve Adjustment. If there is no interference, skip to Valve Installation.

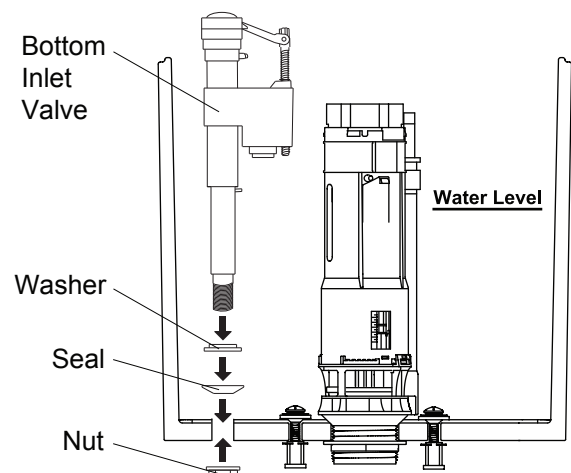
Secondary Valve Adjustment

- Flick the adjustment switch from CLOSE to OPEN position.
- Slide the float guide down to the bottom of its range.
- Turn the float adjustment knob until the top of the float is at the required water level.
- Slide the float guide up so that the top of the guide is aligned or slightly below (0-3mm) the top of the float.
- Flick the adjustment switch from OPEN to CLOSE position.
- Repeat Initial/Secondary Valve Adjustments as required until there is no further interference with the cistern lid. Proceed to Valve Installation.



Valve Installation

- Remove and discard the bung if present.
- Place the washer and seal over the thread.
- Locate the valve in the Bottom Inlet hole in the cistern. Ensure there is no interference with other cistern components.
- Securely tighten the nut onto the valve thread and test for leaks.
- Ensure that the top of the valve float aligns with the cistern water level mark. If not, further adjustment may be required.



All information is based on the latest product information available at the time of publication. Kohler Co. reserves the right to make changes in product characteristics, packaging, or availability at any time without notice.