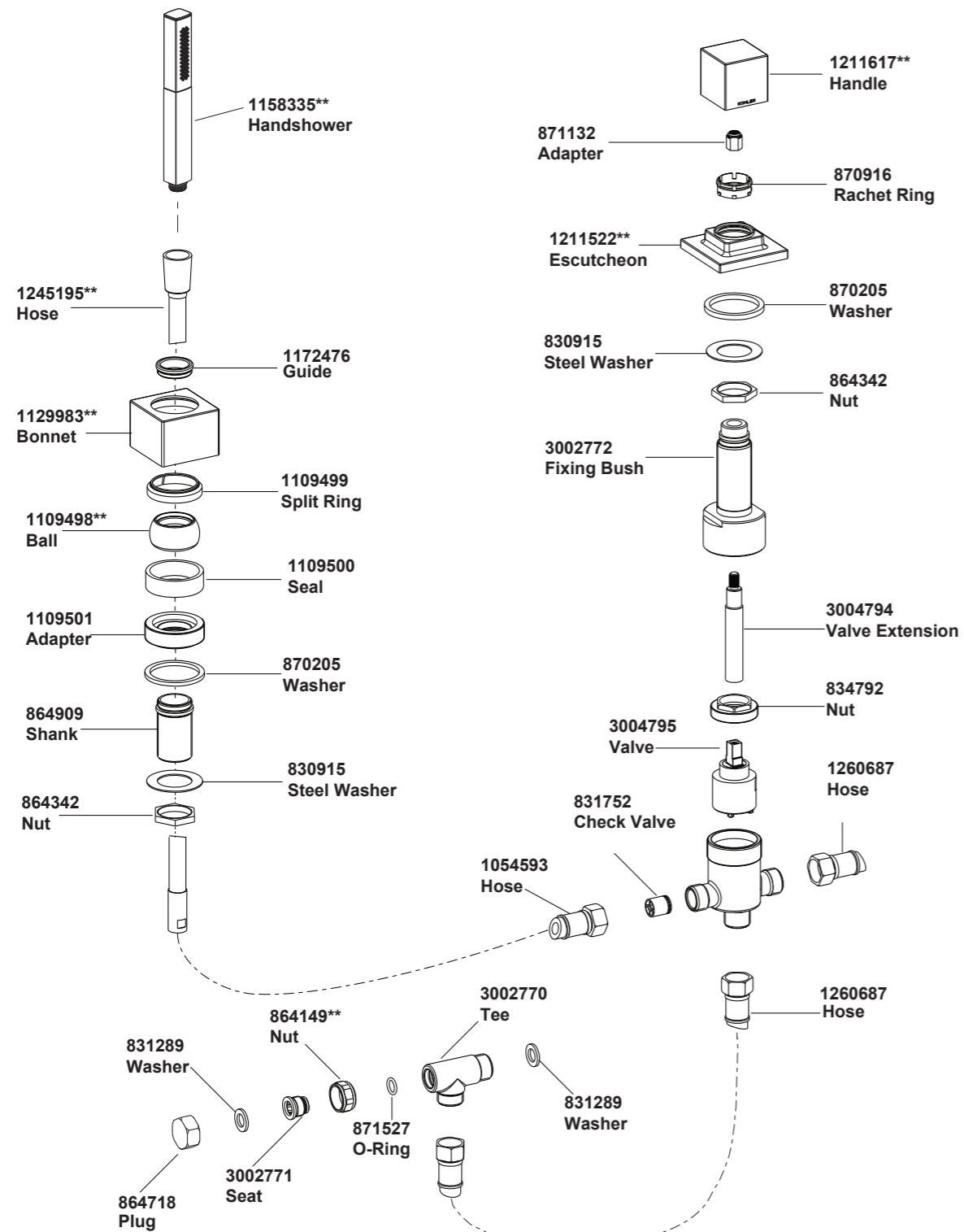


Handshower with diverter: 98964A



**Color code must be specified when ordering

Handshower with diverter: 98964A

BEFORE YOU BEGIN

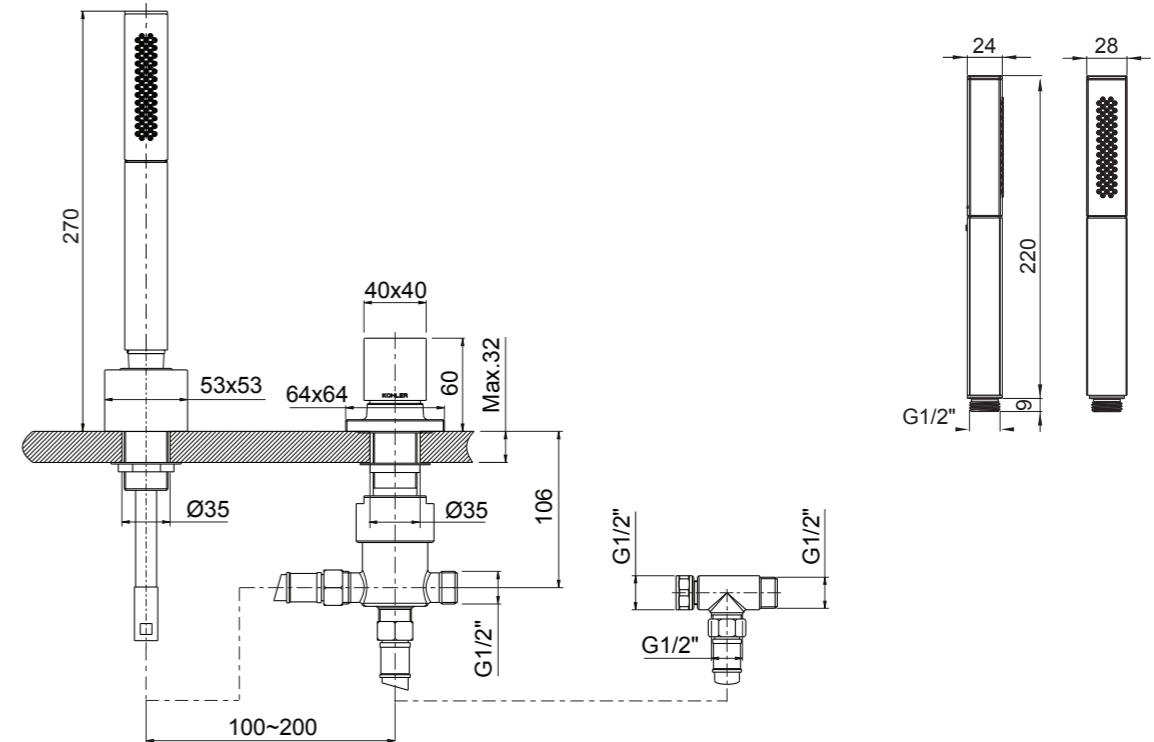
All information is based on the latest product information available at the time of publication. Kohler Co. reserves the right to make changes in product characteristics, packaging, or availability at any time without notice.

Please leave these instructions for the consumer. They contain important information.

NOTES:

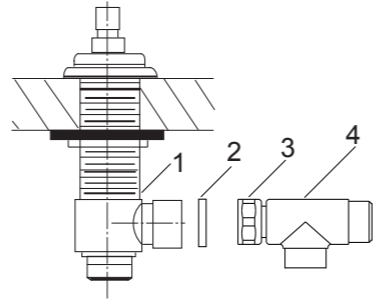
1. Flush the water supply pipes thoroughly to remove any debris.
2. An in line water filter must be used with this product.
3. Inspect the supply pipes for damage. Replace as necessary.
4. Observe local plumbing codes.
5. Check for leaks before covering the pipes, repair as needed.
6. Recommended working pressure: 100 to 500kPa.
7. Maximum working pressure: 800kPa.
8. All installations should comply with the relevant requirements of AS/NZS 3500 and AS/NZS 6400.

ROUGH-IN DIMENSIONS



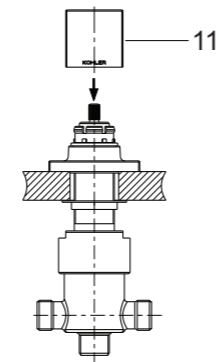
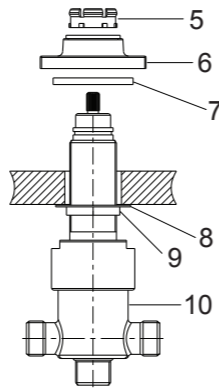
INSTALLATION - Supply tee

- 1.) Insert the washer(2) into the tee nut(3).
- 2.) Connect the tee(4) to one side body(1) of the deck mount tapware as shown.



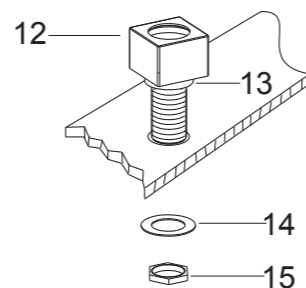
INSTALLATION - Diverter

- 1.) Remove the ratchet ring(5), escutcheon(6) and washer(7) from the diverter body(10).
- 2.) Insert the diverter body with washer(8) and nut(9) through the mounting hole in the deck.
- 3.) Reinstall the diverter body parts according to the following order: washer(7), escutcheon and ratchet ring.
- 4.) Tighten the escutcheon, then wrench tighten the nut(9).
- 5.) Using handle(11), turn the diverter clockwise until it stops.
- 6.) Remove the handle and rotate it until the Kohler logo faces the front, then press the handle onto the diverter body.

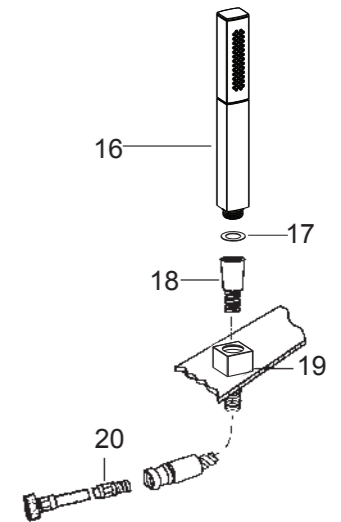


INSTALLATION - Handshower

- 1.) Remove the nut(15) and washer(14). Place the rubber washer(13) into the groove of the escutcheon and place the shank into the mounting hole in the deck.
- 2.) From the underside of the deck, install the washer(14) and nut(15) onto the shank and firmly tighten the nut.

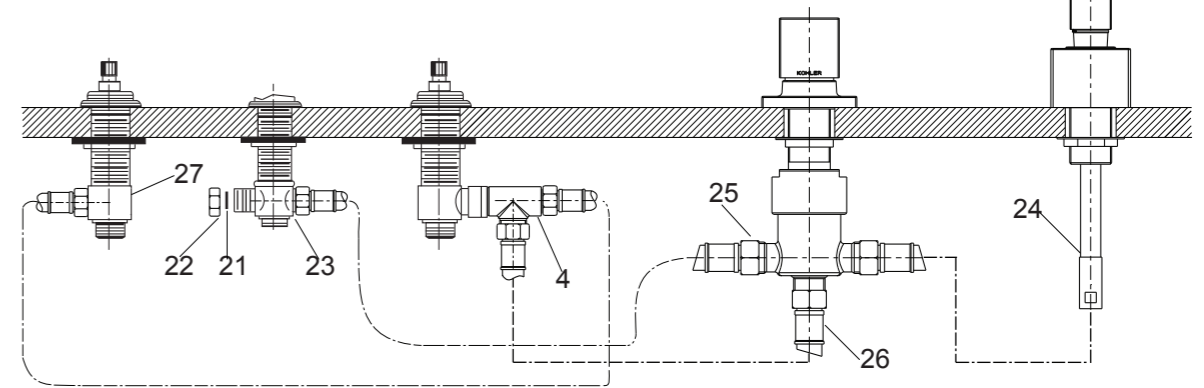


- 3.) Slide the shower hose(18) (length: 2m) through the hose guide(19), and attach to the connection hose(20) (length: 0.6m).
- 4.) Put the washer(17) into the shower hose(18) connector and thread the shower hose onto the handshower(16).
- 5.) Put the fiber washer(21) into plug(22) and tighten the plug to one of the center tee(23) ports of the spout.
- 6.) Connect one side body(27) to the tee(4) located on the other side body, using washers and one of the hoses provided with the deck-mount tapware (Remove another hose and place aside).
- 7.) Connect the tee(4) to the bottom port of the diverter with hose(26) (length: 1m) using washers.



- 8.) Tighten the connection hose(24) to the end (with note label) using a washer.
- 9.) Connect the center tee(23) to another end of the diverter with hose(25) (length: 1m) using washers.
- 10.) To ensure the water flows smoothly and the handshower can be drawn out easily, avoid kinking or twisting of the hose.

NOTES: To make installation easier you may back off the center tee of the spout up to 180 degree. Hoses should only be used where indicated.



INSTALLATION CHECKOUT

- 1.) Ensure all coupling nuts are tight. Turn on main water supply and check for leaks. Repair as required.

CLEANING INSTRUCTIONS

All Finishes: Clean the finish with mild soap and warm water. Wipe entire surface completely dry with a clean soft cloth. Many cleaners may contain such chemicals as ammonia, chlorine, toilet chemicals etc. which could adversely affect the finish and are not recommended for cleaning.

Do not use abrasive cleaners or solvents on Kohler fittings.