

**Product**

- Modern Life® basin with tap deck

**Kohler Code**

77761T-1-0



Waste not included

**Included Components**

- Bench top cutting template

**Features**

- Bench top installation
- Overflow outlet
- Tap deck for tapware installation

**Material**

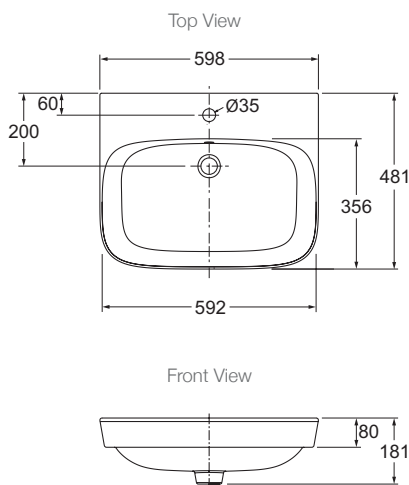
- Vitreous china
- Colour: white

**Related Products**

- Modern Life® wall hung basin
- Modern Life® vessel basin

**Technical Details**

Weight: 15kg Appr



**Installation Notes:**

- Allow a minimum of 50mm from the wall for easy cleaning.
- A hole for the basin needs to be made in the bench top (please refer to cutting template).
- The basin is fixed to the bench top using an appropriate silicone sealant (not supplied).
- Requires DN32 waste with overflow (not supplied).