

**Product**

- Odeon semi recessed basin with 1 tap hole
- Odeon semi recessed basin with 3 tap holes

**Kohler Code**

- 11160T-1-0
- 11160T-8-0



Tapware and waste not included

**Included Components**

- Bench top cutting template

**Features**

- Semi recessed installation
- Overflow outlet
- Vitreous china
- Fully glazed at back of basin

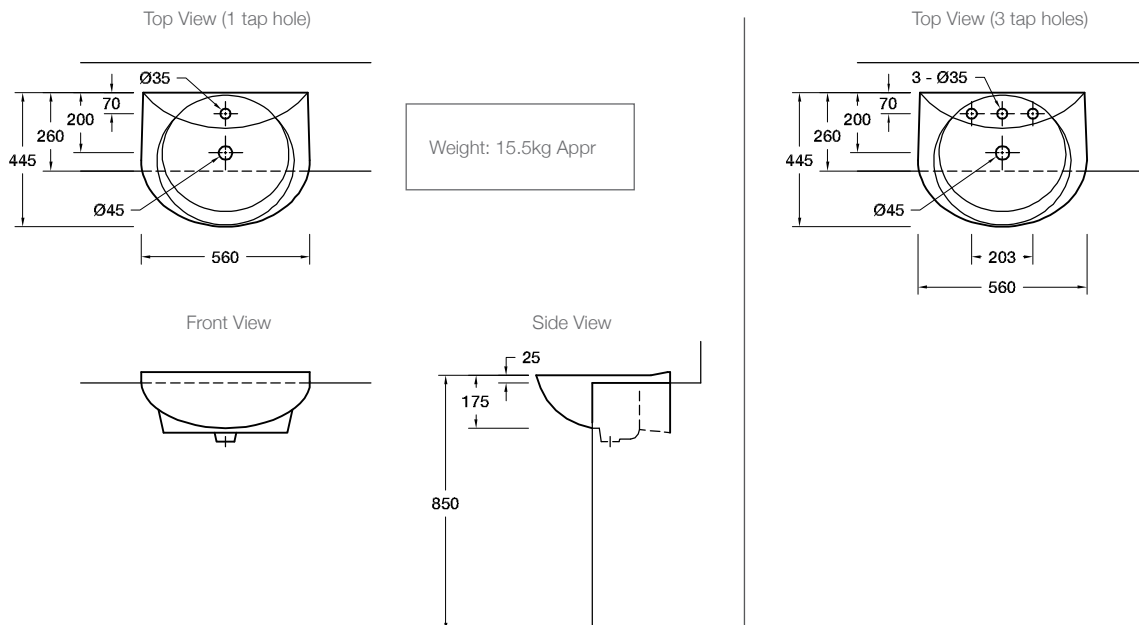
**Optional Accessories**

- Tapware
- Generic basin accessories

**Related Products**

- Odeon basins
- Odeon toilets
- Odeon baths

**Technical Details**



**Installation Notes:**

- Allow a minimum of 50mm from the wall for easy cleaning.
- A hole for the basin needs to be made in the bench top (please refer to cutting template).
- The basin is fixed to the bench top using the appropriate silicone sealant (not supplied).