

**Product**

- Composed® shower or bath mixer only - 40mm
- Composed® shower and bath mixer with diverter - 40mm

**Kohler Code**

- 73098T-4\*
- 73100T-4\*



NOTE: Polished Chrome versions shown

**Included Components**

- In wall valve
- Trim kit

**Features**

- Diverter version allows water to be delivered through a bath spout or shower
- Polished Chrome or PVD Titanium finish
- Metal construction
- Ceramic disc cartridge
- Suitable for mains pressure
- KOHLER finishes resist tarnishing and corrosion

**Finish Options** (Colour swatches indicative only)

- 73098T-4-CP - Polished Chrome
- 73100T-4-CP - Polished Chrome
- 73098T-4-TT - PVD Titanium
- 73100T-4-TT - PVD Titanium

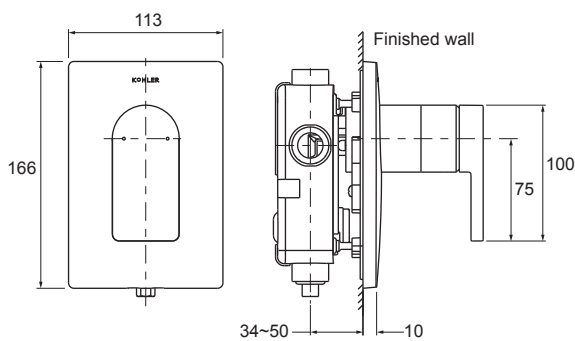
**Related Products**

- Composed accessories
- Composed tapware

**Technical Details**

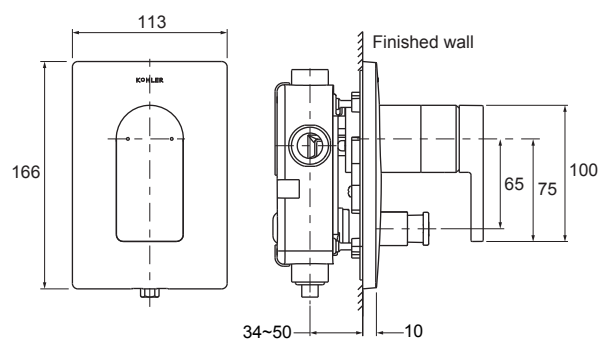
Front View (No Diverter)

Side View (No Diverter)



Front View (With Diverter)

Side View (With Diverter)



**Installation Notes:**

- Rc 1/2" female inlets.
- Optimum working pressure 300-500 kPa.
- Maximum hydrostatic pressure 800kPa. (This pressure may be exceeded only under test conditions).
- Maximum temperature 80°C.
- Where normal working pressure exceeds the maximum, pressure limiting valves should be installed.
- For optimum installation it is important that the valve is installed plumb on both horizontal and vertical planes.
- Inline filters should be used to protect tapware from debris that may be present within the plumbing.