

Product

- Margaux single lever basin mixer

Kohler Code

16230A-4ND-CP



Included Components

- Braided stainless steel hoses

Features

- Polished chrome
- Metal construction
- Ceramic disc valve
- Suitable for mains pressure
- KOHLER finishes resist tarnishing and corrosion

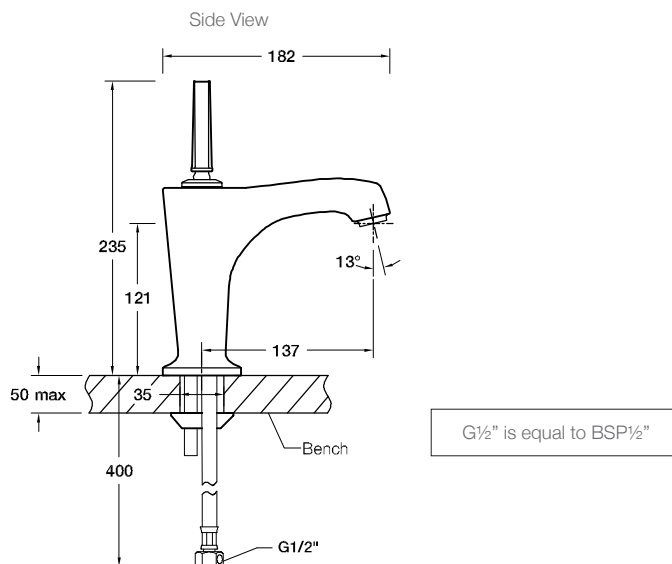


WELS RATING
(5 Star 6 Litres / min)

Related Products

- Margaux tapware
- Margaux accessories

Technical Details



G $\frac{1}{2}$ " is equal to BSP $\frac{1}{2}$ "

Installation Notes:

- Optimum working pressure 300-500 kPa.
- Maximum hydrostatic pressure 800 kPa (This pressure may be exceeded only under test conditions).
- Maximum temperature 80°C.
- Maximum bench thickness is 50mm.
- Where normal working pressure exceeds the maximum, pressure limiting valves should be installed.
- Inline filters should be used to protect tapware from debris that may be present within the plumbing.