

**Product**

- Singulier wall mount bath spout

**Kohler Code**

8161A-CP

**Included Components**

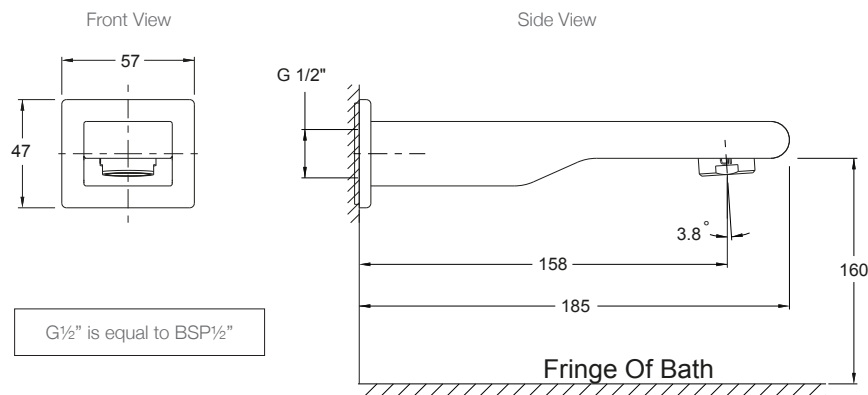
- Spout adaptor

**Features**

- Polished chrome
- Metal construction
- Suitable for mains pressure
- KOHLER finishes resist tarnishing and corrosion

**Related Products**

- Singulier tapware

**Technical Details****Installation Notes:**

- G 1/2" female thread.
- Optimum working pressure 300-500 kPa.
- Inline filters should be used to protect tapware from debris that may be present within the plumbing.