

**Product**

- Exhale® slide shower

**Kohler Code**

77361T-E-CP



WELS RATING  
(3 Star 9 Litres / min)



**Included Components**

- 1.5m hose
- Shower head
- Wall bracket & slidebar
- Elbow

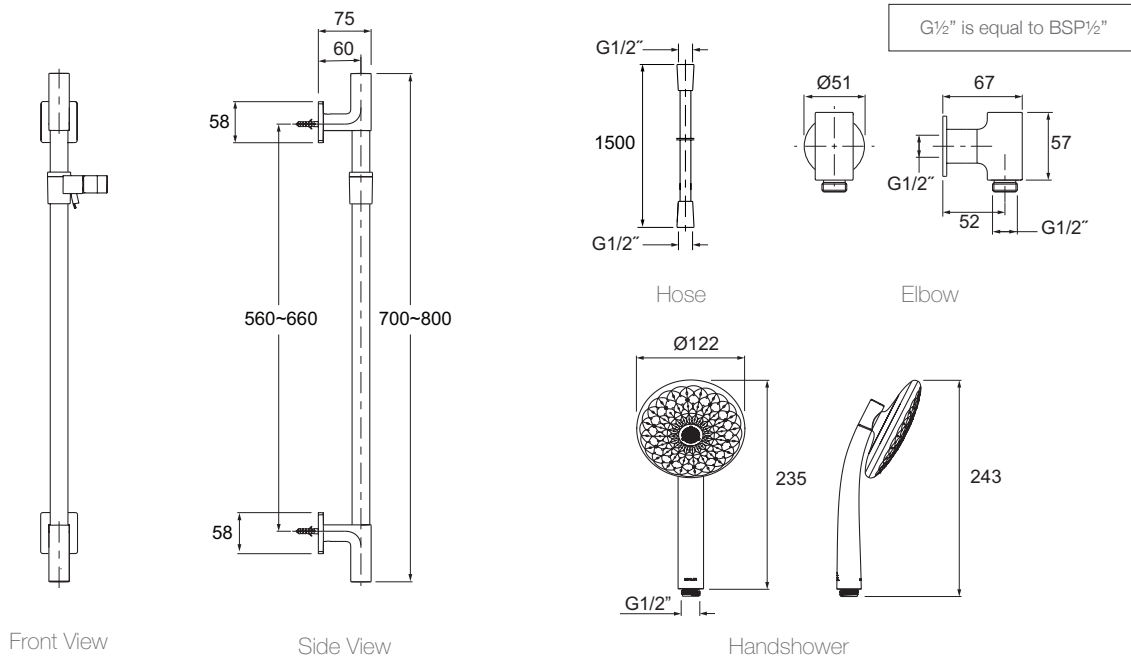
**Features**

- Polished chrome
- Multi-function shower head
- Wall mounted
- Suitable for mains pressure
- KOHLER finishes resist tarnishing and corrosion
- Advanced spray engine provides three spray experiences:
  - Full coverage spray produces an encompassing spray for everyday use and utilises Katalyst® air induction to create large, full drops.
  - Drenching rain delivers a soothing circular water pattern.
  - Intense massage spary targets sore muscles to ease away aches and pains.

**Related Products**

- Exhale® shower head

**Technical Details**



**Installation Notes:**

- Wall elbow G1/2" female thread.
- Optimum working pressure 300-500 kPa.
- Maximum working pressure 500kPa.
- Inline filters should be used to protect tapware from debris that may be present within the plumbing.