

Product

- Artifacts hob mount basin set

Kohler Code

21506A-*



Included Components

- Concealed breech piece




Features

- Choice of 3 colours
- Metal construction
- 1/4 turn ceramic disc valves
- Suitable for mains pressure
- KOHLER finishes resist tarnishing and corrosion



WELS RATING
(5 Star 6 Litres / min)

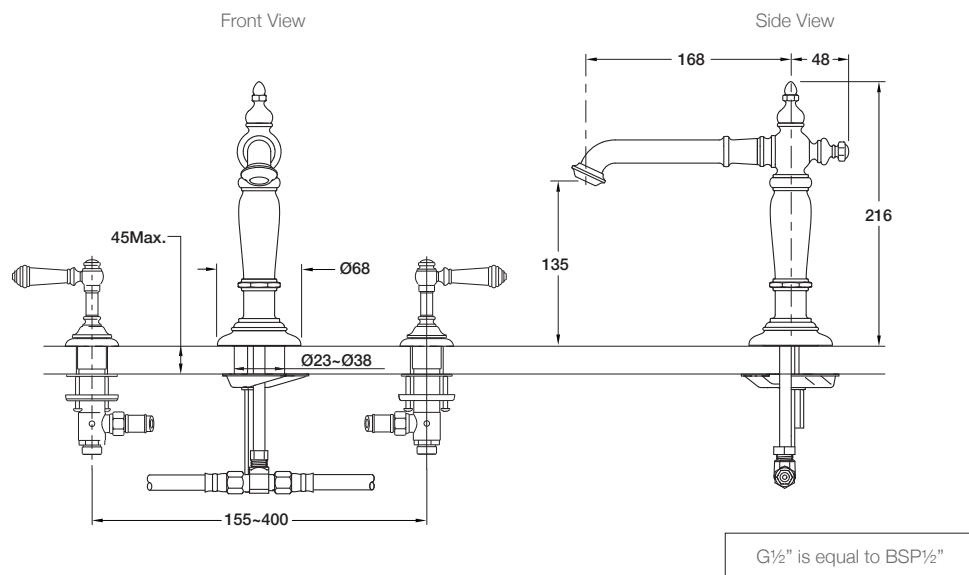
PVD Colour Options (*Colour swatches indicative only)

-  21506A-CP - Polished Chrome
-  21506A-2BZ - Oil-Rubbed Bronze
-  21506A-BV - Vibrant Brushed Bronze

Related Products

- Artifacts tapware
- Artifacts Accessories

Technical Details



Installation Notes:

- G1/2" male inlets.
- Optimum working pressure 300-500 kPa.
- Maximum hydrostatic pressure 800 kPa (This pressure may be exceeded only under test conditions).
- Where normal working pressure exceeds the maximum, pressure limiting valves should be installed.
- Maximum working temperature 60°C.
- Maximum bench thickness is 45mm.
- Inline filters should be used to protect tapware from debris that may be present within the plumbing.